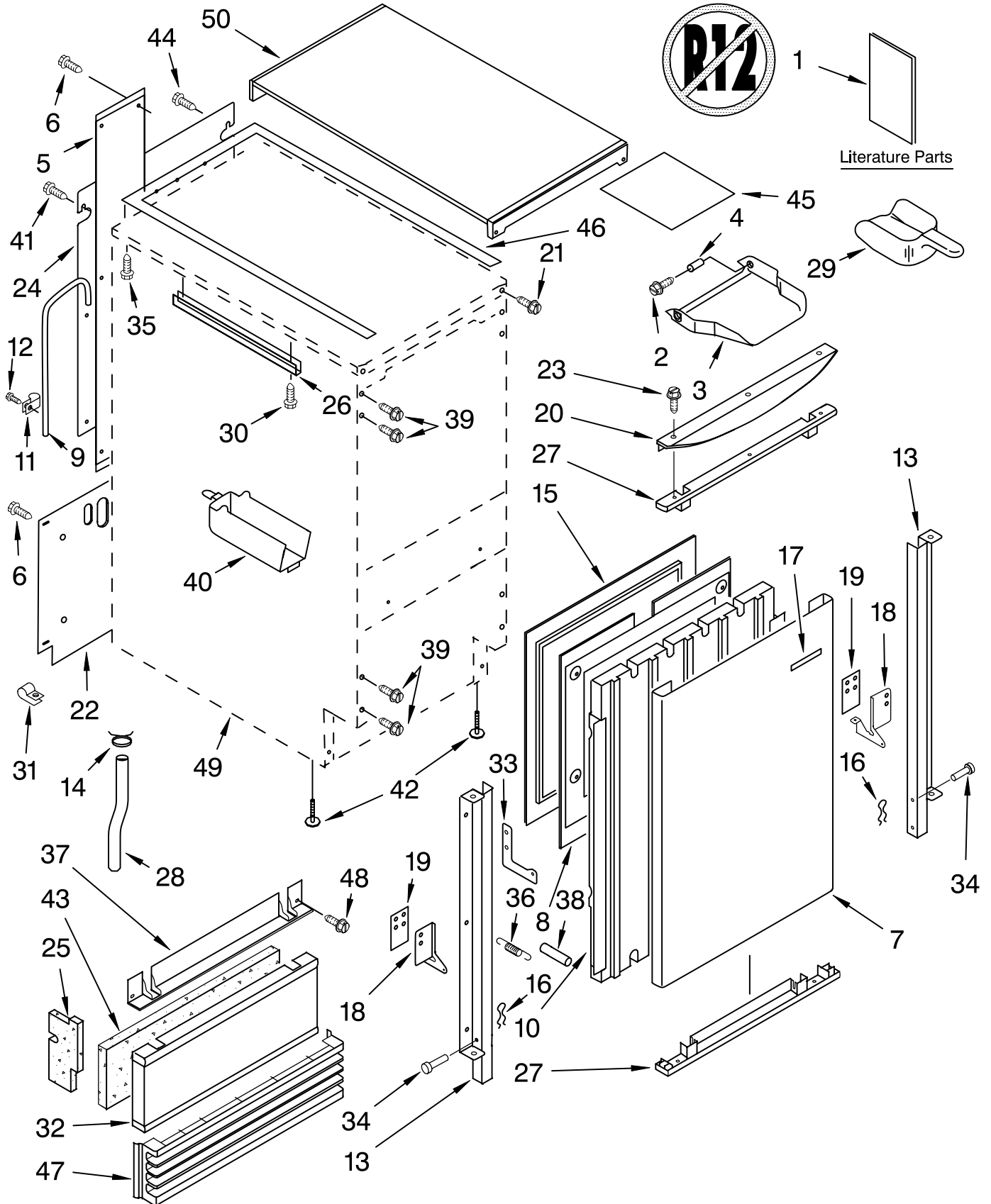


# CABINET LINER AND DOOR PARTS

ICE CUBE  
MAKER

**KitchenAid®**

For Models: KUIS18PNJW3, KUIS18PNJB3  
(WHITE-PUMP MODEL) (BLACK-PUMP MODEL)



FOR ORDERING INFORMATION REFER TO PARTS PRICE LIST

# CABINET LINER AND DOOR PARTS

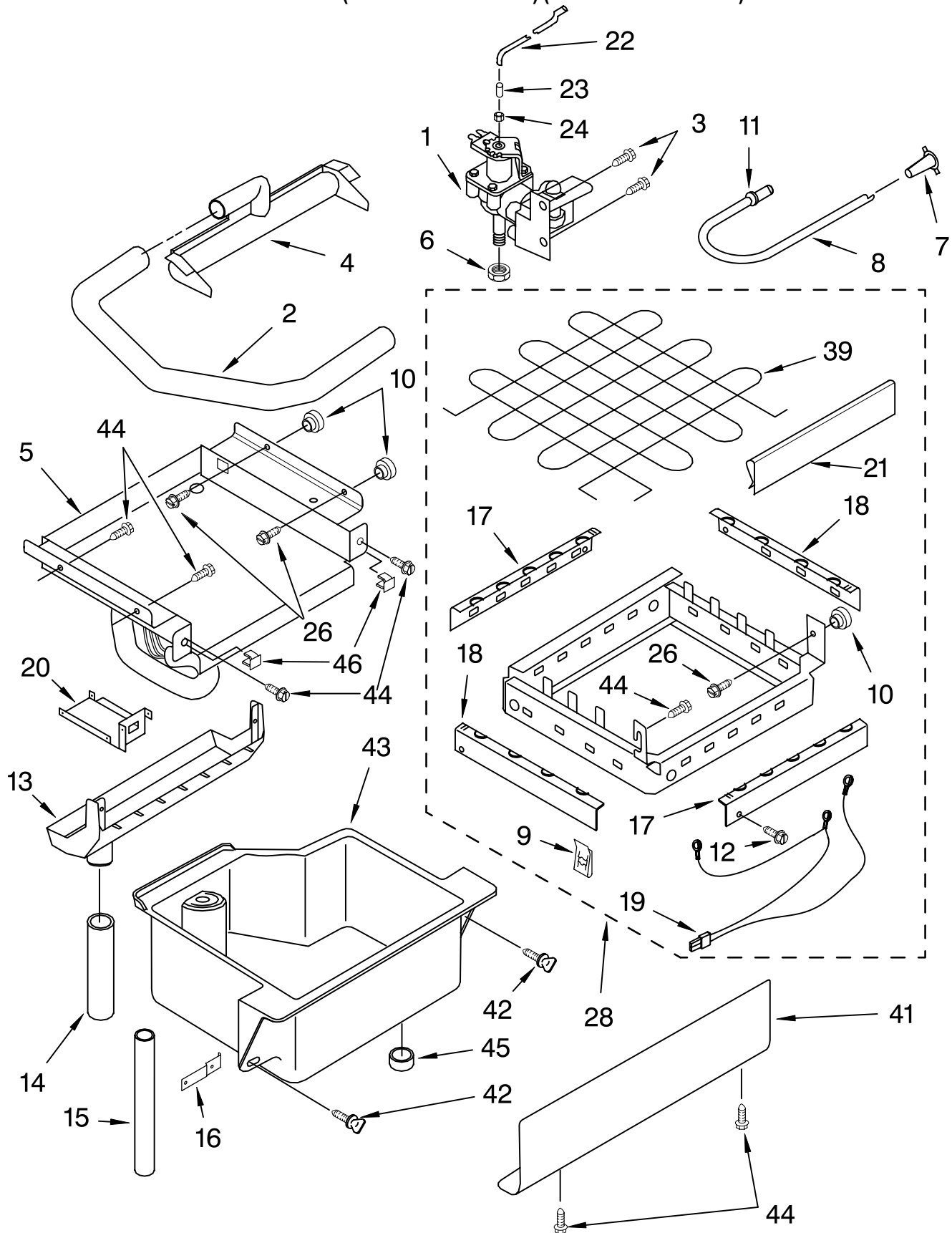
For Models: KUIS18PNJW3, KUIS18PNJB3  
(WHITE-PUMP MODEL) (BLACK-PUMP MODEL)

Illus. No.	Part No.	DESCRIPTION	Illus. No.	Part No.	DESCRIPTION	Illus. No.	Part No.	DESCRIPTION
1	LIT2217251	Literature Parts Use & Care Guide	23	8281188	Screw, Handle (White)	49		Cabinet & Liner (NOT SERVICED)
	LIT2217232	Service & Wiring Sheet		8281186	(Black)	50		Top
2	3400886	Screw 8-18 X 1 1/4	24	2217227	Ballast-Back, IM		2929701W	White
3	2208354	Bin, Door	25	2217225	Pad, Foam		2929701B	Black
4	2185678	Spacer	26	2185691	Channel, Wiring	Parts Not Illustrated and Optional Parts (Not Included)		
5	2185575	Cover, Wiring	27		Endcap, Door			
6	489442	Screw		2208350W	(White)			
7		Panel, Exterior		2208350B	(Black)			
	2208352W	(White)	28	2208459	Tube, Drain			
	2208352B	(Black)	29	2208386	Scoop			
8	2208353	Panel, Interior	30	3400884	Screw 8-18 X 5/8		8171307	Cleaner, Icemaker
9	2185926	Tube, Air Vent	31	489385	Clamp		503695	Sealer, Cork (1/4 Pound)
10	2208377	Insulation	32		Panel, Lower		797403	Cement, Insulation (1 Oz.)
11	2208367	Clamp, Half		2208382W	(White)		505587	Sealer, Mastic (1 Qt.)
12	8281265	Screw		2208382B	(Black)		212643	Sealer, Gum (22 Pcs. 3/16" x 7")
13		Bracket, Door	33	2208487	Bracket, Spring		479976	Kit, Insulation (5 Pcs. 3" x 24" x 48")
	2208376	(Left Side)	34	2208417	Pin, Hinge		978025	Valve, Access (1/4")
	2208375	(Right Side)	35	489048	Screw, Ground 8-32 X 1/2		978026	Valve, Access (5/16")
14	489503	Clamp	36	2208480	Spring		978027	Valve, Access (3/8")
15	2208361	Gasket, Door	37		Endcap, Panel		978028	Valve, Access (1/2")
16	2208535	Clip		2208383W	(White)		978029	Valve, Access (5/8")
17		Nameplate		2208383B	(Black)		978030	Valve, Access (3/4")
	2212760	(White)	38	2208529	Dampener, Spring			
	2212762	(Black)	39	489423	Screw 10-32X11/16			
18		Hinge	40	2208449	Holder, Scoop			
	2208425	(Left Side)	41	8281193	Screw			
	2208426	(Right Side)	42	3376439	Leg, Leveler			
19	2208401	Shim, Hinge	43	2208384	Insulation			
20		Handle, Door	44	8281192	Screw			
	2208440W	(White)	45	2185690	Shield, Electrical			
	2208440B	(Black)	46	2217296	Gasket, Top Panel			
21	8281184	Screw 8-18 X 1/2	47		Grill, Front			
22	2208399	Assembly, Unit Cover		2217206W	(White)			
				2217206B	(Black)			
			48	489474	Screw 8-18 X 1			

FOR ORDERING INFORMATION REFER TO PARTS PRICE LIST

# EVAPORATOR, ICE CUTTER GRID AND WATER PARTS

For Models: KUIS18PNJW3, KUIS18PNJB3  
(WHITE-PUMP MODEL) (BLACK-PUMP MODEL)



FOR ORDERING INFORMATION REFER TO PARTS PRICE LIST

# EVAPORATOR, ICE CUTTER GRID AND WATER PARTS

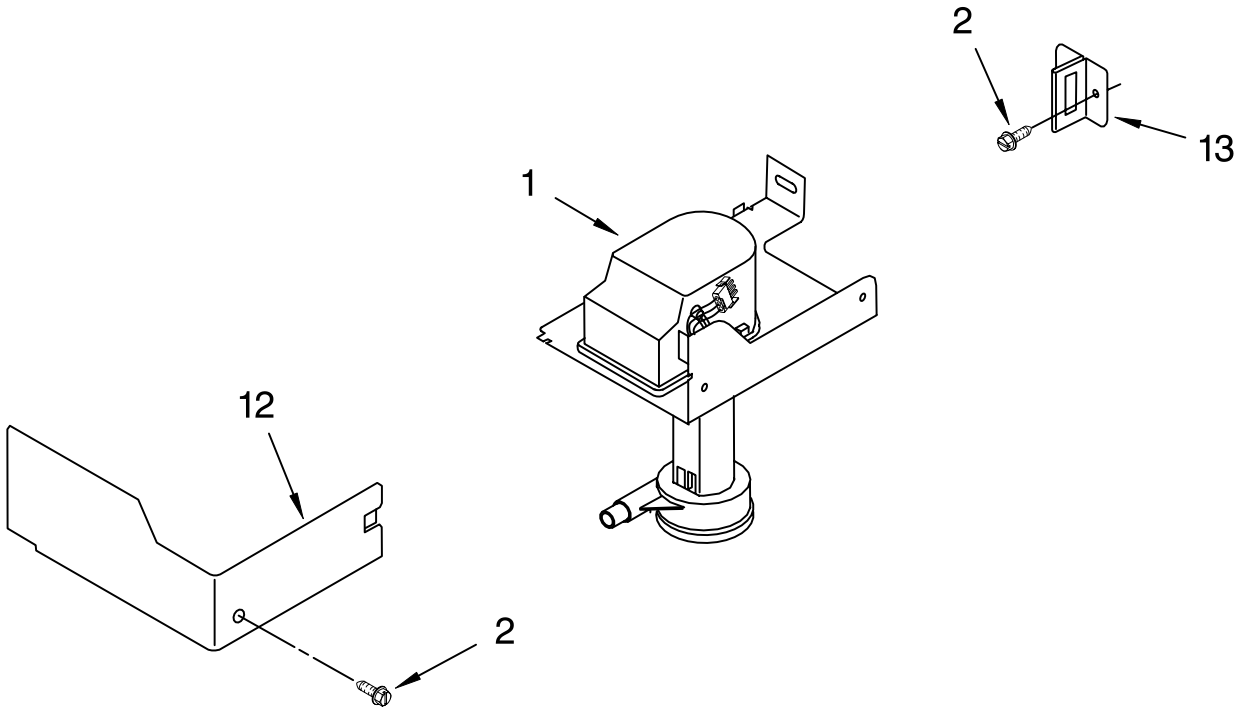
For Models: KUIS18PNJW3, KUIS18PNJB3  
(WHITE-PUMP MODEL) (BLACK-PUMP MODEL)

<b>Illus. No.</b>	<b>Part No.</b>	<b>DESCRIPTION</b>
1	2185758	Valve, Complete Water
2	2217286	Tube, Plastic
3	488687	Screw 8-15 X 5/8
4	2185523	Dispenser, Water
5	2217269	Evaporator
6	627018	Nut, Compression
7	841707	Insert, Tube
8	2172593	Tube, Water Fill
9	488660	Nut, Speed
10	836667	Spacer
11	2208539	Fastener, Pushnut
12	489443	Screw
13	2185625	Reservoir, Water Slide
14	2185626	Tube
15	2185673	Hose, Overflow
16	2208372	Support, Reservoir Bracket
17	2185615	Bracket, Front and Rear
18	2185611	Bracket, Side Left and Right
19	2185681	Harness, Grid
20	2208427	Support, Bracket Evaporator/Grid
21	2217310	Guide, Ice Grid
22	2208533	Tube
23	487627	Ball Sleeve
24	487857	Nut, Ball Sleeve
26	3400886	Screw 8-18 X 1 1/4
28	2185614	Grid Assembly (Complete)
39	2174754	Wire, Grid Cutter
41	2208365	Cover, Grid
42	8281228	Thumbscrew
43	2185624	Reservoir, Water
44	3400884	Screw 8-18 X 5/8
45	2185696	Cap, Drain
46	3400909	Nut, Push-In

FOR ORDERING INFORMATION REFER TO PARTS PRICE LIST

# PUMP PARTS

For Models: KUIS18PNJW3, KUIS18PNJB3  
(WHITE-PUMP MODEL) (BLACK-PUMP MODEL)

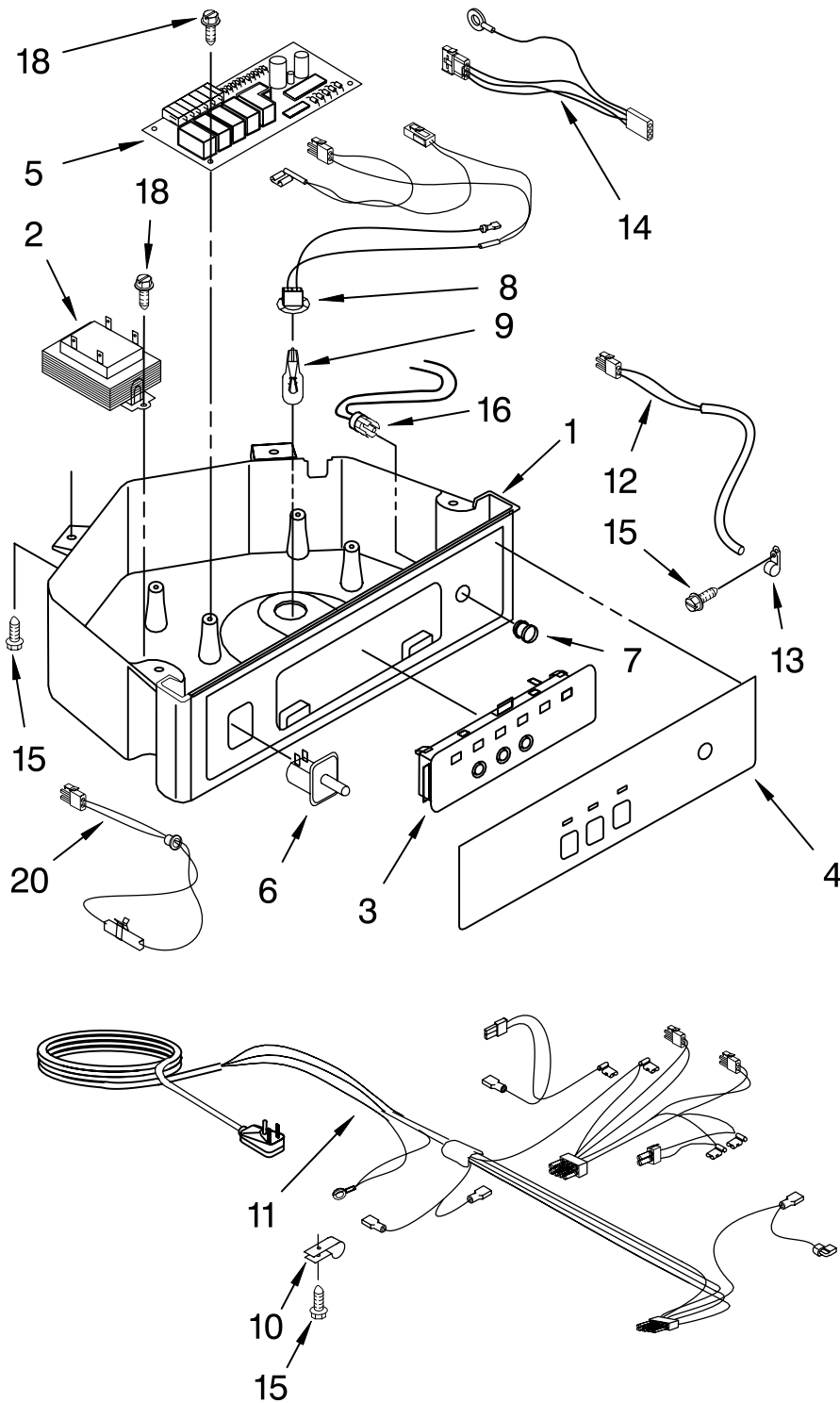


<b>Illus. No.</b>	<b>Part No.</b>	<b>DESCRIPTION</b>
1	2217220	Pump, Water (Complete)
2	3400884	Screw 8-18 X 5/8
12	2185677	Cover, Pump
13	2185585	Bracket, Connector Assembly

FOR ORDERING INFORMATION REFER TO PARTS PRICE LIST

# CONTROL PANEL PARTS

For Models: KUIS18PNJW3, KUIS18PNJB3  
(WHITE-PUMP MODEL) (BLACK-PUMP MODEL)

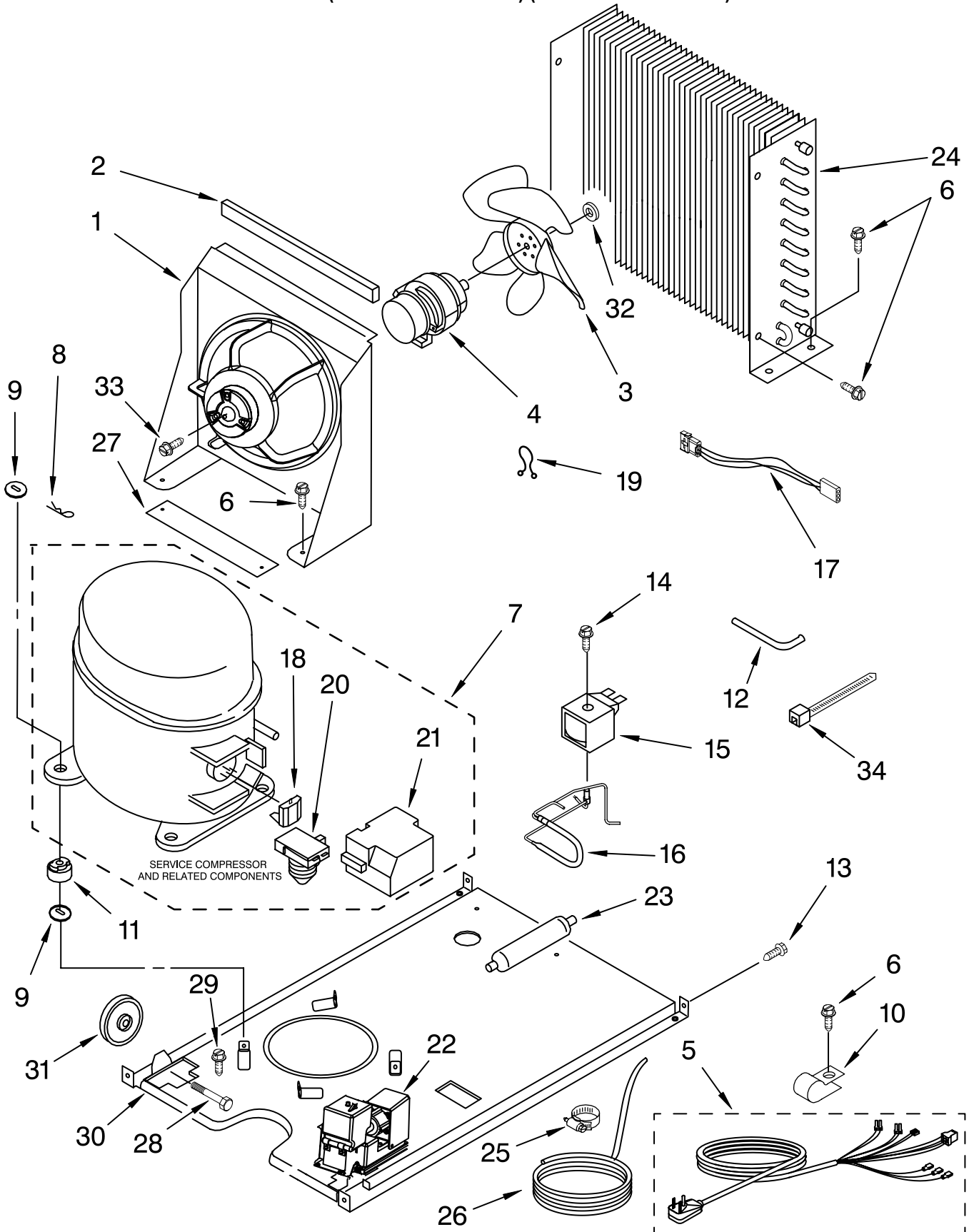


Illus. No.	Part No.	DESCRIPTION
1	2185738	Box, Control
2	2185657	Transformer
3	2185592	Assembly, Switch (ALSO ORDER #4)
4	2208317W	Overlay
5	6100499	P.C. Board
6	2149705	Switch, Plunger
7	2185694	Lens, LED
8	2185692	Wiring Harness Grid/ Light
9	745362	Bulb
10	2185788	Clamp
11	2187286	Wiring Harness, Complete Unit (Includes Power Cord)
12	2217288	Thermostat, Bin
13	2185825	Clamp
14	2185703	Wiring Harness, Main to Pump,
15	3400884	Screw 8-18 X 5/8
16	2187256	LED Assembly
18	3400850	Screw 8-16 X 3/8
20	2217289	Thermister, Ice Control

FOR ORDERING INFORMATION REFER TO PARTS PRICE LIST

# UNIT PARTS

For Models: KUIS18PNJW3, KUIS18PNJB3  
(WHITE-PUMP MODEL) (BLACK-PUMP MODEL)



FOR ORDERING INFORMATION REFER TO PARTS PRICE LIST

# UNIT PARTS

For Models: KUIS18PNJW3, KUIS18PNJB3  
(WHITE-PUMP MODEL) (BLACK-PUMP MODEL)

<u>Illus. No.</u>	<u>Part No.</u>	<u>DESCRIPTION</u>
1	2185532	Bracket, Fan Mtg.
2	2185675	Pad, Foam
3	2190685	Blade, Fan
4	2188537	Motor, Fan
5		Wiring Harness, Complete Unit (See #11 On Control Panel Parts Page)
6	304392	Screw 8-18 X 1/2
7	2208370	Compressor
8	A201435	Clip, Mounting
9	A201441	Shim (4)
10	2185960	Clamp (Power Cord)
11	2217318	Grommet (4)
12	2208415	Tube, Process
13	489423	Screw
14	489472	Screw
15	759112	Coil, Solenoid
16	2208413	Valve, Body
17	2187267	Wiring Harness, Condenser Fan
18	2217223	Overload
19	2217322	Twist Loc
20	2217224	Relay, Start
21	2208371	Cover, Terminal
22	2208534	Pump, Drain
23	2209223	Drier
24	2185529	Condenser
25	489505	Clamp
26	2208499	Tube, Drain
27	2185858	Pad, Foam (2)
28	3370389	Screw 10-32X15/16
29	488500	Screw, Ground 8-32 X 3/8
30	2217205	Base, Unit
31	302819	Wheel
32	486692	Nut, Speed
33	489494	Screw 8-32 X 3/4
34	851095	Wire Tie

## REFRIGERANT CHARGE

6.5 OZ. (R134A)



FOR ORDERING INFORMATION REFER TO PARTS PRICE LIST